

# Products for Chromatography

## Product Overview 2016



## Index <sup>\*)</sup>

	<b>Page</b>
<b>Technical Information</b>	3
<b>Crimp Top Vials 12 x 32 mm Standard Opening</b>	4
fitting closures	7-8
fitting limited volume inserts	6
<b>Crimp Top Vials 12 x 32 mm Big Mouth</b>	4
fitting closures	7-8
fitting limited volume inserts	6
<b>Evaporators</b>	15
<hr/>	
<b>Shell Vials 8 x 40 mm</b>	19
fitting closures	19
fitting limited volume inserts	19
<b>Shell Vials (Shell Vials) 12 x 32 mm</b>	20
fitting closures	20
fitting limited volume inserts	20
<b>Shell Vials (Shell Vials) 15 x 45 mm</b>	21
fitting closures	21
fitting limited volume inserts	21
<hr/>	
<b>Screw Thread Vials 12 x 32 mm 8-425 mm Finish</b>	9
fitting closures	9-10
fitting limited volume inserts	6
<b>Screw Thread Vials 12 x 32 mm 10-425 mm Finish</b>	12
fitting closures	13
fitting limited volume inserts	6
<b>Screw Thread Vials 15 x 45 mm 13-425 mm Finish</b>	16
fitting closures	16-17
fitting limited volume inserts	15
<hr/>	
<b>Headspace Vials</b>	22
fitting closures	22
<b>Multi-Tier™ 96-well Microplate System</b>	24
<b>R.A.M.™ Screw Thread Vials 12 x 32 mm 9 mm Finish</b>	10
fitting closures	11-12
fitting limited volume inserts	6
<hr/>	
<b>Snap Ring™ Vials 12 x 32 mm</b>	5
fitting closures	7-8
fitting limited volume inserts	6
<b>Snap Seal™ Vials 9 mm OD for Multi-Tier™ System</b>	24
fitting closures	24
<b>Snap Seal™ Vials 12 x 32 mm</b>	5
fitting closures	7-8
fitting limited volume inserts	6
<b>Snap Seal™ Vials 15 x 45 mm</b>	14
fitting closures	14
fitting limited volume inserts	15
<hr/>	
<b>Versa Vial™ 12 x 32 mm</b>	17
fitting closures	17
fitting limited volume inserts	17
<b>Vista Vial™ 12 x 32 mm</b>	18
fitting closures (excerpt)	18
<b>Accessories</b> (Snap Rack™, Crimper, Decapper, Capsule Holder)	23
<b>Pricing, payment, and delivery terms</b>	24

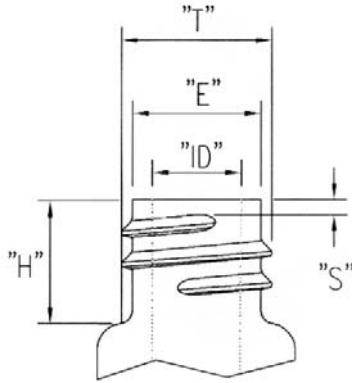
\*) This is only an excerpt from our J.G. Finneran broad product portfolio.

Also available: for example silanized vials or GC-septa.

Feel free to contact us. We would be pleased to help!

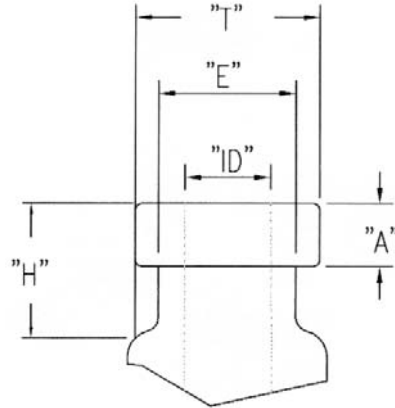
# Technical Information

## Vial Finish Specifications



Standard Screw Thread Finish

- „T“ = Outer diameter of the thread
- „E“ = Inner diameter of the thread
- „ID“ = Inside diameter
- „S“ = Start of thread
- „H“ = Distance from top of the finish to shoulder for closure clearance



Standard Crimp Seal Finish

- „T“ = Outer diameter of the thread
- „E“ = Crimp tool and robotic arm clearance
- „ID“ = Inside diameter
- „A“ = Crimp seal thickness
- „H“ = Distance from top of the finish to shoulder for crimp and robotic arm clearance

## Plastic Properties

Type of Plastic	PE-LD	PE-HD	PP	PMP/TPX	PS
Max. use Temperatur [°C]	80	120	135	175	90
Transparency	Translucent	Translucent	Translucent	Clear	Clear
<b>Sterilization:</b>					
Autoclaving	No	No	Yes	Yes	No
Disinfectants	Yes	Yes	Yes	Yes	No
Dry Heat	No	No	No	Yes	No
Radiation	Yes	Ja	No	No	Yes
Specific Gravity [g/cm <sup>3</sup> ]	0,92	0,95	0,90	0,83	1,05
Flexibility	Good	Rigid	Rigid	Rigid	Rigid

## Septa Selection Guide

Material	Compatibility	Incompatibility	Resealability
Silicone	Alcohols, acetone, ether, DMF, DMSO	Chloroform, pyridine, benzene, toluene, hexane, heptane, ACN, THF	Very good
PTFE/Silicone	PTFE resistance until punctured; then septa or liner will have silicone compatibility		Very good
Rubber (Natural/Butyl)	ACN, acetone, DMF, alcohols, diethylamine, DMSO, phenol	Chlorinated solvents, aromatics, hydrocarbons, carbon disulfide	Excellent
PTFE/Red Rubber PTFE/Butyl Rubber	PTFE resistance until punctured; then septa or liner will have rubber compatibility		Very good
Viton®	Chlorinated solvents, benzene, toluene, alcohols, hexane, heptane	DMF, DMSO, ACN, THF, pyridine, hydrogen peroxide, methanol, acetone	Very good

All products are engineered and manufactured in compliance with ISO 9001:2008 certified guidelines

## Standard Opening Crimp Top Vials, 12 x 32 mm, 11 mm Crimp Finish

- Designed to work with Agilent and other autosamplers
- Choose from clear or amber Type I borosilicate glass
- Sealed with aluminum seals or the patented „Poly Crimp“™ caps (pages 7-8)
- Different limited volume inserts available (page 6)
- Capacity ranging from 100 µl to 2,0 ml
- With or without marking and graduation spot
- Graduation spot in various colours available



Cat. No.	Description	Unit
32011-1232	2,0 ml Clear vial	1000
32011-1232A	2,0 ml Amber vial	1000
32011E-1232	2,0 ml Clear vial, white graduation spot	1000
32011E-1232A	2,0 ml Amber vial, white graduation spot	1000
30211-1232	100 µl Interlocked™ vial with insert, clear vial	100
30211-1232A	100 µl Interlocked™ vial with insert, amber vial	100

Fitting closures on pages 7 - 8

Limited volume inserts see page 6

## Big Mouth, Crimp Top Vials, 12 x 32 mm, 11 mm Crimp Finish

- 40 % larger opening prevents broken needles
- Designed to work with Agilent and other autosamplers
- Choose from clear or amber Type I borosilicate glass
- Sealed with aluminum seals or the patented „Poly Crimp“™ caps (pages 7-8)
- Different limited volume inserts available (page 6)
- Capacity ranging from 100 µl to 2,0 ml
- With or without marking and graduation spot
- Graduation spot in various colours available



Cat. No.	Description	Unit
32011L-1232	2,0 ml Clear vial	1000
32011L-1232A	2,0 ml Amber vial	1000
32011LE-1232	2,0 ml Clear vial, white graduation spot	1000
3211LE-1232A	2,0 ml Amber vial, white graduation spot	1000
30211L-1232	300 µl Interlocked™ vial with insert, clear vial	100
30211L-1232A	300 µl Interlocked™ vial with insert, amber vial	100

Closures on pages 7 - 8

Limited volume inserts on page 6

**You are working with proteins, antibiotics, phenol, pesticides or other polar substances?**

**We have many of our vials silanized, too.**

**Contact us for further details and pricing!**

## Snap Seal™ Vials, Reinforced Neck Area, 12 x 32 mm, 11 mm Snap Ring - Crimp Finish

- Neck Finish allows use of Snap Top Caps™ eliminating the need of crimping and decapping
- Designed to work with Agilent and other autosamplers
- Choose from clear and amber Type I borosilicate glass or polypropylene
- Sealed with aluminum seals, the patented „Poly Crimp“™ caps (pages 7-8) or „Snap Top Caps“™ (page 8)
- Different limited volume inserts available (page 6)
- Capacity ranging from 100 µl to 2,0 ml
- With or without marking and graduation spot
- Graduation spot in various colours available



Cat. No.	Description	Unit
31811-1232	2,0 ml Clear vial	1000
31811-1232A	2,0 ml Amber vial	1000
31811E-1232	2,0 ml Clear vial, white graduation spot	1000
31811E-1232A	2,0 ml Amber vial, white graduation spot	1000
30211SS-1232	300 µl Interlocked™ vial with insert, clear vial	100
3211SS-1232A	300 µl Interlocked™ vial with insert, amber vial	100
31511P-1232	1,5 ml Polypropylene vial	1000

Closures on pages 7 - 8, limited volume inserts on page 6

## Snap Ring™ Vials, 12 x 32 mm, 11 mm Snap Ring - Crimp Finish

- Neck Finish allows use of Snap Top Caps™ eliminating the need of crimping and decapping
- Designed to work with Agilent and other autosamplers
- Choose from clear and amber Type I borosilicate glass, „Glactic“, polypropylene or Polymethylpentene (TPX) – according to your needs
- Sealed with aluminum seals, the patented Poly Crimp™ caps (pages 7-8) or Snap Top Caps™ (page 8)
- Different limited volume inserts available (page 6)
- Capacity ranging from 100 µl to 2,0 ml
- With or without marking and graduation spot in various colours



Cat. No.	Description	Unit
32011S-1232	2,0 ml Clear vial	1000
32011S-1232A	2,0 ml Amber vial	1000
32011SE-1232	2,0 ml Clear vial, white graduation spot	1000
3211SE-1232A	2,0 ml Amber vial, white graduation spot	1000
30111G-1232	100 µl „Glactic“ glass insert/plastic outside vial, clear	100
30111G-1232A	100 µl „Glactic“ glass insert/plastic outside vial, amber	100
30111S-1232	100 µl Glass micro vial, clear	12
30211S-1232	300 µl Interlocked™ vial with insert, clear vial	100
30211S-1232A	300 µl Interlocked™ vial with insert, amber vial	100
30211SM-1232	300 µl Interlocked™ vial with insert, clear vial, white marking spot	100
3021SM-1232A	300 µl Interlocked™ vial with insert, amber vial, white marking spot	100
30111P-1232	100 µl Polypropylene vial	1000
30111CP-1232	100 µl Polypropylene vial, clear	1000
30111T-1232	100 µl Polymethylpentene (TPX) vial	1000
30511P-1232	500 µl Polypropylene vial	1000
30511P-1232A <b>New!</b>	500 µl Polypropylene vial, amber	1000
30511CP-1232	500 µl Polypropylene vial, clear	1000
30511T-1232	500 µl Polymethylpentene (TPX) vial	1000
30711P-1232	750 µl Polypropylene vial	1000
30711CP-1232	750 µl Polypropylene vial, clear	1000
30711T-1232	750 µl Polymethylpentene (TPX) vial	1000

For fitting closures see pages 7 - 8

Limited volume inserts see next page

## Limited Volume Inserts for 12 x 32 mm Vials

### Limited volume inserts for:

- Crimp Top Vials Big Mouth 12 x 32 mm (page 4)
- Snap Seal™ Vials 12 x 32 mm (pages 5-6)
- Snap Ring™ Vials 12 x 32 mm (page 5)
- Screw Thread Vials, ND 9, R.A.M.™ (page 10)
- Screw Thread Vials, ND 10, 10-425 mm Finish (pages 12-13)
- **Conical or flat bottom**
- **With or without spring**
- **Glass or polypropylene**



Cat. No.	Description	Unit
4005BS-625	50 µl, glass, big mouth, conical bottom, with bottom spring	100
401TF-529	100 µl, glass, conical bottom, with glass flange	100
401TS-529	100 µl, glass, conical bottom, patented Top Spring™	100
4025-629	250 µl, glass, big mouth, conical bottom, without spring	100
4025BS-629	250 µl, glass, big mouth, conical bottom, with bottom spring	100
4025GF-631	250 µl, glass, big mouth, conical bottom, with glass flange	100
401PTS-530	100 µl, polypropylene (PP), conical bottom, patented Top Spring™	1000
4025P-631	250 µl, PP, big mouth, conical bottom, without spring	1000
4025PBS-631	250 µl, PP, big mouth, conical bottom, with bottom spring	1000
4025PF-631	250 µl, polypropylene, with plastic flange	1000
4035-630	350 µl, glass, flat bottom	1000
4035-630ID	350 µl, glass, flat bottom, with ID-ring	1000
4035P-630	350 µl, polypropylene, flat bottom	1000
4035-631	350 µl, glass, flat bottom	1000
4035-631ID	350 µl, glass, big mouth, flat bottom, with ID ring	1000

### Limited volume inserts for:

- Standard Crimp Top Vials 12 x 32 mm (page 4)
- Screw Thread Vials ND8, 8-425mm Finish (page 9)
- **Conical or flat bottom**
- **With or without spring**
- **Glass or polypropylene**



Cat. No.	Description	Unit
4005BS-425	50 µl, glass, conical bottom, with bottom spring	100
401F-529	100 µl, glass, conical bottom, with plastic flange	100
401BS-530	100 µl, glass, conical bottom, with bottom spring	100
401-530	100 µl, glass, conical bottom, requires metal spring	100
401-531	100 µl, glass, conical bottom, no spring	100
4015BS-529	150 µl, glass, conical bottom, with bottom spring	100
401P-530	100 µl, polypropylene, conical bottom, no spring	1000
401PBS-530	100 µl, polypropylene, conical bottom, with bottom spring	1000
401PTS-530	<b>New!</b> 100 µl, polypropylene, conical bottom, with patented Top Spring™	1000
4025-531	250 µl, glass, flat bottom	1000
4025-531ID	250 µl, glass, flat bottom, with ID-Ring	1000
4025P-531	250 µl, polypropylene, flat bottom	1000

**Your vial of choice should be a bit different?**

**Let's talk about it and find a solution.**

**Contact us any time!**

## Crimp Seals ND 11

### Seals for all vials with 11 mm Crimp Finish

- Manufactured from aluminum
- Available in a variety of colours for easy sample identification
- Large Opening for larger penetration area
- Wide range of different septa



Cat. No.	Description	Unit
5110-11	11 mm Seal, aluminum, silver, 0,25 mm PTFE	1000
5140-11	11 mm Seal, aluminum, silver, PTFE/butyl rubber red	1000
5140-11B	11 mm Seal, aluminum, blue, PTFE/butyl rubber red	1000
5140-11G	11 mm Seal, aluminum, green, PTFE/butyl rubber red	1000
5140-11R	11 mm Seal, aluminum, red, PTFE/butyl rubber red	1000
5140-11Y	11 mm Seal, aluminum, yellow, PTFE/butyl rubber red	1000
5140MR-11	11 mm Seal, aluminum, silver, PTFE/butyl rubber, metal-O-Ring	1000
5140-11X	11 mm Seal, aluminum, silver, PTFE/red rubber red	1000
5140-11XB	11 mm Seal, aluminum, blue, PTFE/red rubber red	1000
5140-11XG	11 mm Seal, aluminum, green, PTFE/red rubber red	1000
5140-11XR	11 mm Seal, aluminum, red, PTFE/red rubber red	1000
5140-11XY	11 mm Seal, aluminum, yellow, PTFE/red rubber red	1000
5150-11	11 mm Seal, aluminum, silver, PTFE/silicone	1000
5150-11B	11 mm Seal, aluminum, blue, PTFE/silicone	1000
5150-11G	11 mm Seal, aluminum, green, PTFE/silicone	1000
5150-11R	11 mm Seal, aluminum, red, PTFE/silicone	1000
5150-11Y	11 mm Seal, aluminum, yellow, PTFE/silicone	1000
5150MR-11	11 mm Seal, aluminum, silver, PTFE/silicone, metal-O-Ring	1000
5160-11	11 mm Seal, aluminum, silver, PTFE/silicone/PTFE	1000
5160MR-11	11 mm Seal, aluminum, silver, PTFE/silicone/PTFE, metal-O-Ring	1000
5170-11	11 mm Seal, aluminum, silver, PTFE/silicone, with slit	1000

## Poly Crimp™ Caps ND11

### Poly Crimp™ closures for all vials with 11 mm Crimp Finish

- Manufactured from plastic
- Can be crimped with a standard crimping tool
- Permits an airtight seal without crimping
- Available in a variety of colours for easy sample identification
- Wide range of different septa



Cat. No.	Description	Unit
5500SB-11	11 mm Poly Crimp caps, clear, with starburst	1000
5510-11	11 mm Poly Crimp caps, clear, 0,25 mm PTFE	1000
5540-11	11 mm Poly Crimp caps, clear, PTFE/butyl rubber red	1000
5550-11	11 mm Poly Crimp caps, clear, PTFE/silicone	1000
5560-11	11 mm Poly Crimp caps, clear, PTFE/silicone/PTFE	1000
5570-11	11 mm Poly Crimp caps, clear, PTFE/silicone, with slit	1000
5581-11	11 mm Poly Crimp caps, clear, PTFE/silicone, with starburst	1000
5610-11	<b>New!</b> 11 mm Poly Crimp caps for Shimadzu equipment, 0,25 mm PTFE	1000

**We provide caps and closures in many different colours!**

**Your favourite colour was missing?**

**No problem, please enquire!**

## Snap Seals „Snap Top Caps“™ ND11

Snap Top Caps™ for Snap Seal™ (page 5)  
and Snap Ring™ (pages 5-6)

- Snap on and off by hand:  
Saves time, labour, and money!
- Manufactured from plastic
- Available in a variety of colours for easy sample identification
- New! Now available in black, pink, darkblue and orange
- Wide range of different septa



Cat. No.	Description	Unit
5200-11	11 mm, clear, with molded septum	1000
5200SB-11	11 mm, clear, with starburst	1000
5200SB-11B	11 mm, blue, with starburst	1000
5200SB-11G	11 mm, green, with starburst	1000
5200SB-11PK	11 mm, pink, with starburst	1000
5200SB-11R	11 mm, red, with starburst	1000
5200SB-11Y	11 mm, yellow, with starburst	1000
5210-11PP	11 mm, PP, 0,25 mm PTFE	1000
5240-11PP	11 mm, PP, PTFE/butyl rubber	1000
5250-11PP	11 mm, PP, PTFE/silicone	1000
5260-11PP	11 mm, PP, PTFE/silicone/PTFE	1000
5210-11	11 mm, clear, 0,25 mm PTFE	1000
5210-11B	11 mm, blue, 0,25 mm PTFE	1000
5210-11BK	<b>New!</b> 11 mm, black, 0,25 mm PTFE	1000
5210-11G	11 mm, green, 0,25 mm PTFE	1000
5210-11PK	<b>New!</b> 11 mm, pink, 0,25 mm PTFE	1000
5210-11R	11 mm, red, 0,25 mm PTFE	1000
5210-11Y	11 mm, yellow, 0,25 mm PTFE	1000
5810MR-11	11 mm, clear, PTFE, metal-O-ring	1000
5240-11	11 mm, clear, PTFE/butyl rubber red	1000
5240-11B	11 mm, blue, PTFE/butyl rubber red	1000
5240-11BK	<b>New!</b> 11 mm, black, PTFE/butyl rubber red	1000
5240-11G	11 mm, green, PTFE/butyl rubber red	1000
5240-11O	<b>New!</b> 11 mm, orange, PTFE/butyl rubber red	1000
5240-11PK	<b>New!</b> 11 mm, pink, PTFE/butyl rubber red	1000
5240-11R	11 mm, red, PTFE/butyl rubber red	1000
5240-11Y	11 mm, yellow, PTFE/butyl rubber red	1000
5840MR-11	11 mm, clear, PTFE/butyl rubber red, metal-O-ring	1000
5250-11	11 mm, clear, PTFE/silicone	1000
5250-11B	11 mm, blue, PTFE/silicone	1000
5250-11BK	<b>New!</b> 11 mm, black, PTFE/silicone	1000
5250-11G	11 mm, green, PTFE/silicone	1000
5250-11O	<b>New!</b> 11 mm, orange, PTFE/silicone	1000
5250-11PK	<b>New!</b> 11 mm, pink, PTFE/silicone	1000
5250-11R	11 mm, red, PTFE/silicone	1000
5250-11Y	11 mm, yellow, PTFE/silicone	1000
5850MR-11	11 mm, clear, PTFE/ silicone, metal-O-ring	1000
5260-11	11 mm, clear, PTFE/silicone/PTFE	1000
5260-11B	11 mm, blue, PTFE/silicone/PTFE	1000
5260-11BK	<b>New!</b> 11 mm, black, PTFE/silicone/PTFE	1000
5260-11G	11 mm, green, PTFE/silicone/PTFE	1000
5260-11PK	<b>New!</b> 11 mm, pink, PTFE/silicone/PTFE	1000
5260-11R	11 mm, red, PTFE/silicone/PTFE	1000
5260-11Y	11 mm, yellow, PTFE/silicone/PTFE	1000
5860MR-11	11 mm, clear, PTFE/ silicone/PTFE, metal-O-ring	1000
5270-11	11 mm, clear, PTFE/silicone, with slit	1000
5870MR-11	11 mm, clear, PTFE/silicone, with slit, metal-O-ring	1000
5280-11	11 mm, clear, PTFE/silicone/PTFE, with starburst	1000
5281-11	11 mm, clear, PTFE/silicone, with starburst	1000
5282-11	11 mm, clear, 0,25 mm PTFE, with starburst	1000
5290-11	<b>New!</b> 11 mm, clear, Viton®	1000



## Screw Thread Vials, ND8, 8-425 mm Neck Finish, 12 x 32 mm, Standard Opening

- Designed to work with autosamplers requiring narrow neck vials
- Choose from clear or amber Type I borosilicate glass, "Glastic", polypropylene or polymethylpentene (TPX)
- Sealed with screw caps (see below and page 10)
- Different limited volume inserts available (see page 6)
- Capacity ranging from 100 µl to 2,0 ml
- With or without marking and graduation spot in various colours



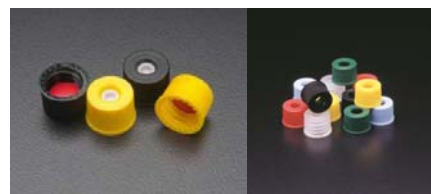
Cat. No.	Description	Unit
32008-1232	2,0 ml Clear vial	1000
32008-1232A	2,0 ml Amber vial	1000
32008E-1232	2,0 ml Clear vial, white graduation spot	1000
32008E-1232A	2,0 ml Amber vial, white graduation spot	1000
31108-1232	1,1 ml Clear vial, tapered bottom	1000
30208-1232	100 µl Interlocked™ vial with insert, clear vial	100
30208-1232A	100 µl Interlocked™ vial with insert, amber vial	100
30208M-1232	100 µl Interlocked™ vial with insert, clear vial, white marking spot	100
30108G-1232	100 µl „Glastic“ glass insert/plastic outside vial, clear	100
30108G-1232A	100 µl „Glastic“ glass insert/plastic outside vial, amber	100
30108P-1232	100 µl Polypropylene vial	1000
30108CP-1232	100 µl Polypropylene vial, clear	1000
30108T-1232	100 µl Polymethylpentene (TPX) vial	1000
32008-1230	2,0 ml Clear vial, 12 x 30 mm, for use in Perkin Elmer equipment	1000
32008-1230A	2,0 ml Amber vial, 12 x 30 mm, for use in Perkin Elmer equipment	1000

For limited volume inserts see page 6

## Caps and Septa ND8

### Screw Caps for Screw Thread Vials ND8 (8-425)

- Manufactured from polypropylene
- Available in a variety of colours for easy sample identification
- Large opening for larger penetration area
- Wide range of different septa and preassembled closures



Cat. No.	Description	Unit
5310-08	8 mm Open hole cap, polypropylene, black, for Shimadzu	1000
5310-08W	8 mm Open hole cap, polypropylene, white, for Shimadzu	1000
5310L-08	8 mm Open hole cap, polypropylene, black	1000
5310L-08W	8 mm Open hole cap, polypropylene, white	1000
5320-08	8 mm Cap, polypropylene, black	1000
5320-08W	<b>New!</b> 8 mm Cap, polypropylene, white	1000
5330-08	8 mm Top Seal™ cap, polypropylene, clear, molded 0,25 mm septum	1000
5330-08W	8 mm Top Seal™ cap, polypropylene, white, molded 0,25 mm septum	1000
5330PE-08	8 mm Top Seal™ cap, polyethylene, easy pierce closure, 0,25 mm septum	1000
5360-08	8 mm Cap, polypropylene, black, PTFE/F217 liner	1000
5360-08W	<b>New!</b> 8 mm Cap, polypropylene, white, PTFE/F217 liner	1000
804040-08	8 mm Cap, black, PTFE/red rubber (red), 1 mm	1000
804060-08	8 mm Cap, black, PTFE/silicone/PTFE, 1 mm	1000
805050-08	<b>New!</b> 8 mm Cap, black, PTFE (red)/silicone, 0,5 mm	1000
806070-08	8 mm Cap, black, PTFE (red)/silicone, 1,5 mm, with slit	1000
806550-08	8 mm Cap, black, PTFE (red)/silicone, 1,65 mm	1000
806550TH-08	8 mm patented Top Hat™ cap, black, PTFE/silicone	1000
806550TH-08Y	8 mm patented Top Hat™ cap, yellow, PTFE/silicone	1000

**Septa ND8 for Screw Caps (8-425 mm)**

- Various thicknesses available
- Different materials to suit your application (refer to page 3)



Cat. No.	Description	Unit
601010-08	8 mm x 0,25 mm, PTFE, white	1000
601080-08	8 mm x 0,25 mm, PTFE, white, with slit	1000
603570-08	8 mm x 0,9 mm, PTFE (red)/silicone, with slit	1000
604040-08	8 mm x 1,1 mm, PTFE/red rubber	1000
604040-08F	8 mm x 1,1 mm, PTFE/butyl rubber	1000
604060-08	8 mm x 1 mm, PTFE (red)/silicone/PTFE (red)	1000
604075-08	8 mm x 1 mm, PTFE (red)/silicone/PTFE (red), with slit	1000
604550-08	8 mm x 1,1 mm, PTFE (red)/silicone	1000
606070-08	8 mm x 1,5 mm, PTFE (red)/silicone, with slit	1000
606550-08	8 mm x 1,65 mm, PTFE (red)/silicone	1000
606550B-08	8 mm x 1,65 mm, PTFE (blue)/silicone	1000
606550T-08	8 mm x 1,65 mm, PTFE (tan)/silicone	1000

**R.A.M.™ Large Opening Vials, 12 x 32 mm, 9 mm Neck Finish**

- Designed to work in robotic arm autosamplers, such as Agilent, HTA, Shimadzu, Thermo Scientific, Varian, Waters and others
- Choose from clear or amber Type I borosilicate glass, “Glastic”, polypropylene or polymethylpentene (TPX)
- Different limited volume inserts available (see page 6)
- Capacity ranging from 100 µl to 2,0 ml
- With or without marking and graduation spot in various colours



Cat. No.	Description	Unit
32009-1232	2,0 ml Clear vial	1000
32009-1232A	2,0 ml Amber vial	1000
32009E-1232	2,0 ml Clear vial, white graduation spot	1000
32009E-1232A	2,0 ml Amber vial, white graduation spot	1000
32009RB-1232	2,0 ml Clear vial, round bottom	1000
31509-1232	1,5 ml High recovery glass vial	100
30209-1232	300 µl Interlocked™ vial with insert, clear vial	100
30209-1232A	300 µl Interlocked™ vial with insert, amber vial	100
30209M-1232	300 µl Interlocked™ vial with insert, clear vial, white marking spot	100
30209M-1232A	300 µl Interlocked™ vial with insert, amber vial, white marking spot	100
30109G-1232	100 µl „Glastic“ glass insert/plastic outside vial, clear	100
30109G-1232A	100 µl „Glastic“ glass insert/plastic outside vial, clear	100
30109P-1232	100 µl Polypropylene vial	1000
30109CP-1232	100 µl Polypropylene vial, clear	1000
30109T-1232	100 µl Polymethylpentene (TPX) vial	1000
30509P-1232	500 µl Polypropylene vial	1000
31509P-1232	1,5 ml Polypropylene vial (patented)	1000
31509P-12BK	1,5 ml Polypropylene vial, black	1000
80209FB-1232	350 µl Clear assembled vial with flanged flat bottom insert	1000
8029FB-1232A	350 µl Amber assembled vial with flanged flat bottom insert	1000
80209-1232	250 µl Clear assembled vial with step insert	100
80209M-1232	250 µl Clear assembled vial with step insert and graduation spot	100
80209-1232A	250 µl Amber assembled vial with step insert	100
80209M-1232A	250 µl Amber assembled vial with step insert and graduation spot	100

**For screw caps see page 11**

**Limited volume inserts on page 6**

## Caps and Septa ND9

### Screw Caps for Screw Thread Vials ND9/R.A.M.™

- Manufactured from polypropylene
- Smooth or ribbed cap
- Available in a variety of colours for easy sample identification
- Large opening for larger penetration area or solid top caps
- Wide range of different septa



Cat. No.	Description	Unit
5310F-09	9 mm R.A.M.™ open hole cap, polypropylene, black	1000
5310F-09RB	9 mm R.A.M.™ open hole cap, polypropylene, royal blue	1000
5310-09F	9 mm R.A.M.™ open hole cap, polypropylene, ribbed, black	1000
5310-09FRB	9 mm R.A.M.™ open hole cap, polypropylene, ribbed, royal blue	1000
5320-09	9 mm R.A.M.™ cap, polypropylene, black, unlined	1000
5330-09	9 mm R.A.M.™ Top Seal™ closure, polypropylene, clear, molded 0,25 mm septa	1000
5360-09	9 mm R.A.M.™ cap, polypropylene, black, PTFE/F217 lined	1000

### Septa ND9 for Screw Caps 9 mm Thread

- Various thicknesses available
- Different materials to suit your application (refer to page 3)



Cat. No.	Description	Unit
601010-09	9 mm x 0,25 mm, PTFE, white	1000
604040-09	9 mm x 1 mm, PTFE/red rubber, red	1000
604040-09F	9 mm x 1 mm, PTFE/butyl rubber	1000
604050-09	9 mm x 1 mm, PTFE/silicone	1000
604060-09	9 mm x 1 mm, PTFE (red)/silicone/PTFE (red)	1000
604070-09	9 mm x 1 mm, PTFE (red)/silicone, with slit	1000

### Preassembled R.A.M.™ Screw Thread Closures and Septa ND9

- Manufactured from polypropylene
- Smooth or ribbed cap
- Available in a variety of colors for easy sample identification
- Large Opening for larger penetration area or solid top caps
- Wide range of different septa



Cat. No.	Description	Unit
5394F-09	9 mm R.A.M.™ cap, black, PTFE/butyl rubber	1000
5394F-09G	9 mm R.A.M.™ cap, green, PTFE/butyl rubber	1000
5394F-09N	9 mm R.A.M.™ cap, natural, PTFE/butyl rubber	1000
5394F-09R	9 mm R.A.M.™ cap, red, PTFE/butyl rubber	1000
5394F-09RB	9 mm R.A.M.™ cap, royal blue, PTFE/butyl rubber	1000
5394F-09Y	9 mm R.A.M.™ cap, yellow, PTFE/butyl rubber	1000
5395F-09	9 mm R.A.M.™ cap, black, PTFE/silicone	1000
5395F-09G	9 mm R.A.M.™ cap, green, PTFE/silicone	1000
5395F-09N	9 mm R.A.M.™ cap, natural, PTFE/silicone	1000
5395F-09R	9 mm R.A.M.™ cap, red, PTFE/silicone	1000
5395F-09RB	9 mm R.A.M.™ cap, royal blue, PTFE/silicone	1000
5395F-09Y	9 mm R.A.M.™ cap, yellow, PTFE/silicone	1000
5395XF-09RB	9 mm R.A.M.™ cap, royal blue, PTFE/silicone, with cross slit	1000
5396F-09	9 mm R.A.M.™ cap, black, PTFE/silicone/PTFE	1000
5396F-09G	9 mm R.A.M.™ cap, green, PTFE/silicone/PTFE	1000
5396F-09N	9 mm R.A.M.™ cap, natural, PTFE/silicone/PTFE	1000
5396F-09R	9 mm R.A.M.™ cap, red, PTFE/silicone/PTFE	1000
5396F-09RB	9 mm R.A.M.™ cap, royal blue, PTFE/silicone/PTFE	1000
5396F-09Y	9 mm R.A.M.™ cap, yellow, PTFE/silicone/PTFE	1000

Continued on page 12

Continued from page 11

5397F-09	9 mm R.A.M. <sup>TM</sup>	cap, black, PTFE/silicone, with slit	1000
5397F-09G	9 mm R.A.M. <sup>TM</sup>	cap, green, PTFE/silicone, with slit	1000
5397F-09N	9 mm R.A.M. <sup>TM</sup>	cap, natural, PTFE/silicone, with slit	1000
5397F-09R	9 mm R.A.M. <sup>TM</sup>	cap, red, PTFE/silicone, with slit	1000
5397F-09RB	9 mm R.A.M. <sup>TM</sup>	cap, royal blue, PTFE/silicone, with slit	1000
5397F-09Y	9 mm R.A.M. <sup>TM</sup>	cap, yellow, PTFE/silicone, with slit	1000
5371F-09RB	9 mm R.A.M. <sup>TM</sup>	cap, royal blue, PTFE/silicone, with Y-cut	1000
5391F-09	9 mm R.A.M. <sup>TM</sup>	cap, black, PTFE	1000
5399F-09	9 mm R.A.M. <sup>TM</sup>	cap, black, Viton® (black)	1000
5371-09FRB	9 mm R.A.M. <sup>TM</sup>	ribbed, royal blue, PTFE/silicone, with Y-cut	1000
5391-09F	9 mm R.A.M. <sup>TM</sup>	cap, ribbed, black, PTFE	1000
5399-09F	9 mm R.A.M. <sup>TM</sup>	cap, ribbed, black, Viton® (black)	1000
5394-09F	9 mm R.A.M. <sup>TM</sup>	cap, ribbed, black, PTFE/butyl rubber	1000
5394-09FG	9 mm R.A.M. <sup>TM</sup>	cap, ribbed, green, PTFE/butyl rubber	1000
5394-09FN	9 mm R.A.M. <sup>TM</sup>	cap, ribbed, natural, PTFE/butyl rubber	1000
5394-09FR	9 mm R.A.M. <sup>TM</sup>	cap, ribbed, red, PTFE/butyl rubber	1000
5394-09FRB	9 mm R.A.M. <sup>TM</sup>	cap, ribbed, royal blue, PTFE/butyl rubber	1000
5394-09FY	9 mm R.A.M. <sup>TM</sup>	cap, ribbed, yellow, PTFE/butyl rubber	1000
5395-09F	9 mm R.A.M. <sup>TM</sup>	cap, ribbed, black, PTFE/silicone	1000
5395-09FG	9 mm R.A.M. <sup>TM</sup>	cap, ribbed, green, PTFE/silicone	1000
5395-09FN	9 mm R.A.M. <sup>TM</sup>	cap, ribbed, natural, PTFE/silicone	1000
5395-09FR	9 mm R.A.M. <sup>TM</sup>	cap, ribbed, red, PTFE/silicone	1000
5395-09FRB	9 mm R.A.M. <sup>TM</sup>	cap, ribbed, royal blue, PTFE/silicone	1000
5395-09FY	9 mm R.A.M. <sup>TM</sup>	cap, ribbed, yellow, PTFE/silicone	1000
5396-09F	9 mm R.A.M. <sup>TM</sup>	cap, ribbed, black, PTFE/silicone/PTFE	1000
5396-09FG	9 mm R.A.M. <sup>TM</sup>	cap, ribbed, green, PTFE/silicone/PTFE	1000
5396-09FN	9 mm R.A.M. <sup>TM</sup>	cap, ribbed, natural, PTFE/silicone/PTFE	1000
5396-09FR	9 mm R.A.M. <sup>TM</sup>	cap, ribbed, red, PTFE/silicone/PTFE	1000
5396-09FRB	9 mm R.A.M. <sup>TM</sup>	cap, ribbed, royal blue, PTFE/silicone/PTFE	1000
5396-09FY	9 mm R.A.M. <sup>TM</sup>	cap, ribbed, yellow, PTFE/silicone/PTFE	1000
5397-09F	9 mm R.A.M. <sup>TM</sup>	cap, ribbed, black, PTFE/silicone, with slit	1000
5397-09FG	9 mm R.A.M. <sup>TM</sup>	cap, ribbed, green, PTFE/silicone, with slit	1000
5397-09FN	9 mm R.A.M. <sup>TM</sup>	cap, ribbed, natural, PTFE/silicone, with slit	1000
5397-09FR	9 mm R.A.M. <sup>TM</sup>	cap, ribbed, red, PTFE/silicone, with slit	1000
5397-09FRB	9 mm R.A.M. <sup>TM</sup>	cap, ribbed, royal blue, PTFE/silicone, with slit	1000
5397-09FY	9 mm R.A.M. <sup>TM</sup>	cap, ribbed, yellow, PTFE/silicone, with slit	1000

### Big Mouth Screw Thread Vials, 12 x 32 mm, ND10, 10-425 mm Neck Finish

- 40 % larger opening prevents needle breakage
- Choose from clear or amber Type I borosilicate glass, polypropylene or polymethylpentene (TPX)
- Sealed with screw caps (see below and page 10)
- Different limited volume inserts available (see page 6)
- Capacity ranging from 300 µl to 2,0 ml
- With or without marking and graduation spot in various colours



Cat. No.	Description	Unit
32010-1232	2,0 ml Clear vial	1000
32010-1232A	2,0 ml Amber vial	1000
32010E-1232	2,0 ml Clear vial, white graduation spot	1000
32010E-1232A	2,0 ml Amber vial, white graduation spot	1000
30210-1232	300 µl Interlocked <sup>TM</sup> vial with insert, clear vial	100
30210-1232A	300 µl Interlocked <sup>TM</sup> vial with insert, amber vial	100
30210M-1232	300 µl Interlocked <sup>TM</sup> vial with insert, clear vial, white marking spot	100
30510P-1232	500 µl Polypropylene vial	1000
30510CP-1232	500 µl Polypropylene vial, clear	1000
30510T-1232	500 µl Polymethylpentene (TPX) vial	1000
30710P-1232	750 µl Polypropylene vial	1000
30710CP-1232	750 µl Polypropylene vial, clear	1000
30710T-1232	750 µl Polymethylpentene (TPX) vial	1000

Limited volume inserts on page 6, closures on next page

## Caps and Septa ND10

### Screw Caps for Screw Thread Vials ND10 (10-425 mm)

- Manufactured from **polypropylene**
- Available in a variety of colours for easy sample identification
- Large opening for larger penetration area or solid top caps
- Wide range of different septa



Cat. No.	Description	Unit
5310-10	10 mm Open hole cap, polypropylene, black	1000
5310-10W	10 mm Open hole cap, polypropylene, white	1000
5320-10	10 mm cap, polypropylene, black	1000
5330-10	10 mm Top Seal™ cap, polypropylene, clear, molded 0,25 mm septa	1000
5330SB-10	10 mm Top Seal™ cap, polypropylene, clear, molded 0,25 mm septa, with starburst	1000
5360-10	10 mm cap, polypropylene, black, PTFE/F217 Liner	1000

### Septa ND10 for Screw Caps (10-425 mm)

- Various thicknesses available
- Different materials to suit your application (refer to page 3)



Cat. No.	Description	Unit
601010-10	10 mm x 0,25 mm, PTFE, white	1000
604040-10	10 mm x 1 mm, PTFE/red rubber (red)	1000
604040-10F	10 mm x 1 mm, PTFE/butyl rubber	1000
604060-10	10 mm x 1 mm, PTFE (red)/silicone/PTFE (red)	1000
604070-10	10 mm x 1 mm, PTFE (red)/silicone/PTFE (red), with slit	1000
606050-10	10 mm x 1,5 mm, PTFE (red)/silicone	1000
606070-10	10 mm x 1,5 mm, PTFE (red)/silicone, with slit	1000
607550-10	10 mm x 1,9 mm, PTFE (red)/silicone	1000

### Preassembled Screw Thread Closures ND10 (10-425 mm) with septa

- Ribbed cap
- With or without slit
- Different septa to suit your application



Cat. No.	Description	Unit
804040-10	10 mm cap, black, PTFE/red rubber (red), 1 mm	1000
804060-10	10 mm cap, black, PTFE/silicone/PTFE, 1 mm	1000
804060-10B	10 mm cap, blue, PTFE/silicone/PTFE, 1 mm	1000
806050-10	10 mm cap, black, PTFE (red)/silicone, 1,5 mm	1000
806050-10B <i>New!</i>	10 mm cap, blue, PTFE (red)/silicone, 1,5 mm	1000
806070-10	10 mm cap, black, PTFE (red)/silicone, 1,5 mm, with slit	1000
806050-10B <i>New!</i>	10 mm cap, blue, PTFE (red)/silicone, 1,5 mm	1000

**NEW!!!**

**New in our portfolio:**

**QuEChERS a “quick-easy-cheap-effective-rugged-safe” method for Solid Phase Food Extractions**

**Save even more time preparing your samples from agricultural matrices!**

**More information available on request.**

## Snap Seal™ Vials, 15 x 45 mm, 13 mm Crimp Finish

- Neck Finish allows use of Snap Top Caps™ eliminating the need of crimping and decapping
- Designed to work in Shimadzu and Waters WISP™ 48 position autosamplers
- Choose from clear or amber Type I borosilicate glass, “Glastic” or polypropylene - according to your application
- For use with aluminum seals or „Snap Top Caps“™ (see below)
- Different limited volume inserts available (page 15)
- Capacity ranging from 300 µl to 4,0 ml
- With or without marking and graduation spot in various colours



Cat. No.	Description	Unit
33813-1545	4,0 ml Clear vial	1000
33813-1545A	4,0 ml Amber vial	1000
33813E-1545	4,0 ml Clear vial, white graduation spot	1000
33813E-15A	4,0 ml Amber vial, white graduation spot	1000
30313G-1545	300 µl „Glastic“ glass insert/plastic outside vial, clear	100
32513PS-1545	2,5 ml Polypropylene vial	1000

Limited volume inserts on page 15

## Crimp Seals ND13

### Seals for vials with 13 mm Crimp Finish

- Manufactured from aluminum
- Large opening for larger penetration area
- Wide range of different septa



Cat. No.	Description	Unit
5110-13	13 mm Seal, aluminum, silver, 0,25 mm PTFE	1000
5140-13	13 mm Seal, aluminum, silver, PTFE (clear)/red rubber (red), 1 mm	1000
5146-13	<b>New!</b> 13 mm Seal, aluminum, silver, PTFE (clear)/red rubber (red), 1,5 mm	1000
5150-13	13 mm Seal, aluminum, silver, PTFE/silicone	1000

## Snap Top Caps™ ND13

### Snap Top Caps™ Closures ND13

- Snap on and off by hand: Saves time, labour, and money!
- Manufactured from plastic
- Different septa available



Cat. No.	Description	Unit
5210-13	13 mm Snap Cap, clear, 0,25 mm PTFE	1000
5240-13	13 mm Snap Cap, clear, PTFE/butyl rubber	1000
5250-13	13 mm Snap Cap, clear, PTFE/silicone	1000
5260-13	13 mm Snap Cap, clear, PTFE/silicone/PTFE	1000
5280-13	13 mm Snap Cap, clear, PTFE/silicone/PTFE, with starburst	1000
5281-13	13 mm Snap Cap, clear, PTFE/silicone, with starburst	1000
5282-13	<b>New!</b> 13 mm Snap Cap, clear, 0,25 mm PTFE, with starburst	1000

## Limited Volume Inserts for 15 x 45 mm Vials

### Limited volume inserts for:

- Snap Seal™ Vials, 15 x 45 mm 13 mm Crimp Finish (page 14)
- Screw Thread Vials ND 13, 15 x 45 mm, 13 – 425 mm Thread (page 16)
- **Conical or flat bottom**
- **With or without spring**
- **Glass or polypropylene**



Cat. No.	Description	Unit
4025GF-827	250 µl, glass, conical bottom, with glass flange	100
403-638X	300 µl, glass, conical bottom, no spring	100
403BS-638X	300 µl, glass, conical bottom, with bottom spring	100
403TS-638	300 µl, glass, conical bottom, with patented Top Spring™	100
4035GF-842	350 µl, glass, conical bottom, with glass flange	100
40275P-744	275 µl, polypropylene, conical bottom	1000
403P-638	300 µl, polypropylene, conical bottom, no spring	1000
403PBS-638	300 µl, polypropylene, large opening, conical bottom, with bottom spring	1000
403PTS-638	300 µl, polypropylene, large opening, conical bottom, with patented Top Spring™	1000
405-843	500 µl, glass, flat bottom	1000



Also available from us: **Evaporators**

### Faster evaporation of your HPLC solvents

**Porvair Sciences** evaporators are designed to remove the traditional 'bottleneck' of solvent evaporation in the lab. All evaporators can be operated with nitrogen or high-pressure air and are suitable for plates in ANSI / SBS format. The choice of different needle heads with 24-, 48- or 96- straight or spiral needles makes the Porvair evaporators very powerful and versatile tools in your laboratory. New in the range of Porvair Sciences are the evaporator **MiniVap™ Gemini** providing two individually temperature-regulated evaporation positions and the fully robot compatible blowdown evaporator **Ultravap™ Levante**. The 48-needle head and the specially designed rack for 48 sample vials transform every MiniVap™ or Ultravap™ evaporator into a high throughput evaporator for your HPLC sample preparation. Applications that will benefit from the new evaporators are preconcentration prior to injection and evaporation to dryness of post-column fractions for recovery of compounds.



MiniVap™



**NEW!** MiniVap™ Gemini



**NEW!** Ultravap™ Levante



Ultravap™ Mistral

## WISP™ Style Screw Thread, ND13, 15 x 45 mm, 13-425 mm Neck Finish

- Designed to work in Shimadzu and Waters WISP™ 48 position autosamplers
- Choose from clear or amber Type I borosilicate glass, “Glastic” or polypropylene - according to your application
- Sealed with screw caps (see below and page 17)
- Different limited volume inserts available (page 15)
- Capacity ranging from 300 µl to 4,0 ml
- With or without marking and graduation spot in various colours



Cat. No.	Description	Unit
34013-1545	4,0 ml Clear vial	1000
34013-1545A	4,0 ml Amber vial	1000
34013E-1545	4,0 ml Clear vial, white graduation spot	1000
34013E-1545A	4,0 ml Amber vial, white graduation spot	1000
30313TG-1545	300 µl „Glastic“ glass insert/plastic outside vial, clear	100
33113-1545	3,1 ml Clear, high recovery glass vial	100
31213P-1545	1,2 ml Polypropylene vial	1000
32513P-1545	2,5 ml Polypropylene vial	1000
32913P-1545	2,9 ml Polypropylene vial	1000

Limited volume inserts see page 15

## Caps and Septa ND13

### Screw Caps for Screw Thread Vials ND13 (13-425 mm) Finish

- Manufactured from polypropylene
- Available in a variety of colors for easy sample identification
- Large Opening for larger penetration area or solid top caps
- Wide range of different septa



Cat. No.	Description	Unit
5310-13	13 mm Open hole cap, polypropylene, black	1000
5310-13W	13 mm Open hole cap, polypropylene, white	1000
5320-13	13 mm Solid top, black polypropylene unlined cap	1000
5320-13W	<b>New!</b> 13 mm Solid top, white polypropylene unlined cap	1000
5330-13	13 mm Top Seal™ Closure, polypropylen, clear, molded 0,25 mm septa	1000
5340-13	13 mm Open hole cap, polypropylene, black, glass insert	1000
5360-13	13 mm Solid top, polypropylene, black, PTFE/F217 lined cap	1000
5360-13W	13 mm Solid top, polypropylene, white, PTFE/F217 lined cap	1000

### Septa ND10 for Screw Caps (13-425 mm)

- Various thicknesses available
- Different materials to suit your application (refer to page 3)



Cat. No.	Description	Unit
601010-13	13 mm x 0,25 mm, PTFE, white	1000
604040-13	13 mm x 1 mm, PTFE/red rubber	1000
604040-13F	13 mm x 1 mm, PTFE/butyl rubber	1000
604060-13	13 mm x 1 mm, PTFE (red)/silicone/PTFE (red)	1000
606040-13	13 mm x 1,5 mm, PTFE/red rubber	1000
606050-13	13 mm x 1,5 mm, PTFE (red)/silicone	1000
606070-13	13 mm x 1,5 mm, PTFE (red)/silicone, with slit	1000
607550-13	13 mm x 1,9 mm, PTFE (red)/silicone	1000
607550T-13	13 mm x 1,9 mm, PTFE (tan)/silicone	1000



### Preassembled screw thread closures and septa ND13 (13-425 mm)

- Different septa to suit your application



Cat. No.	Description	Unit
804060-13	13 mm Cap, black, PTFE/silicone/PTFE, 1 mm	1000
806550-13	13 mm Cap, black, PTFE (red)/silicone, 1,65 mm	1000
806550TH-13	13 mm Patented Top Hat™, black, PTFE/silicone	1000

### Versa Vials™, 12 x 32 mm, 9 mm Opening

- Versa Vial™ (Shell vial with modified neck for autosampler use)
- Extra large 9 mm mouth prevents needle breakage
- Choose from clear or amber Type I borosilicate glass or polypropylene - according to your application
- The vase like design with elongated neck provides a large pick-up area and accommodates variations in the robotic arm settings.
- Sealed with special plugs (see below)
- Different limited volume inserts available (see below)



Cat. No.	Description	Unit
32012-1232	2,0 ml Clear vial	1000
32012-1232A	2,0 ml Amber vial	1000
32012M-1232	2,0 ml Clear vial, white marking spot	1000
32012M-1232A	2,0 ml Amber vial, white marking spot	1000
31512P-1232	1,5 ml Polypropylene vial	1000

### Versa Vial™ Plugs 12 mm

- Extra soft plugs eliminate cracked necks



Cat. No.	Description	Unit
5003-12G	12 mm Plug, PE, green	1000
5004-12	12 mm Plug, chlorobutyl/siliconized	1000
5005-12	12 mm Plug, PTFE/silicone, white	1000
5070-12	12 mm Plug, PTFE/silicone, with slit	1000

### Limited volume inserts for Versa Vials™

- Conical or flat bottom
- Glass or polypropylene



Cat. No.	Description	Unit
4025GF-625	250 µl, glass, conical bottom, with glass flange	100
4025P-625	250 µl, polypropylene, conical bottom, with flange	1000
4025-628	250 µl, glass, flat bottom	1000

## Vista Vial™, 12 x 32 mm, Patented

- Patented two part design
- Glass base manufactured from clear or amber Type I borosilicate glass
- Snap on polyethylene tops convert the base to a variety of vials
- Easy filling for highly viscous analytes
- Snap on tops in white or amber polyethylene with different neck finishes available
- Sealed with closures according to the top chosen (see below)

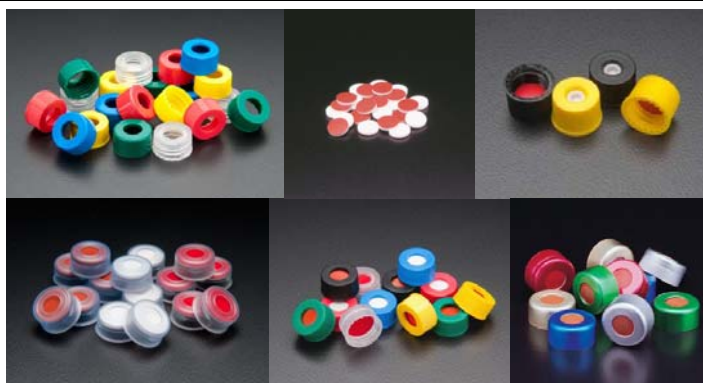


Cat. No.	Description	Unit
4115-1220	Vista Vial™ 1,0 ml, clear glass base	1000
4115-1220A	Vista Vial™ 1,0 ml, amber glass base	1000
31508PE-12	Vista Vial™ Top, polyethylene, white, 8-425 mm thread	1000
31509PE-12	Vista Vial™ Top, polyethylene, white, 9 mm thread	1000
31511PE-12	Vista Vial™ Top, polyethylene, white, 11 mm Snap Seal™	1000
31508PE-12A	Vista Vial™ Top, polyethylene, amber, 8-425 mm thread	1000
31509PE-12A	Vista Vial™ Top, polyethylene, amber, 9 mm thread	1000
31511PE-12A	Vista Vial™ Top, polyethylene, amber, 11 mm Snap Seal™	1000

## Excerpt of closures for the Vista Vials™

For further closures see the following pages:

- 8 mm Screw Thread Finish (8-425) page 9
- 9 mm Screw Thread Finish R.A.M. pages 11-12
- 11 mm Crimp Finish pages 7-8



Cat. No.	Description	Unit
5110-11	11 mm Seal, aluminum, silver, 0,25 mm PTFE	1000
5140-11X	11 mm Seal, aluminum, silver, PTFE/red rubber red	1000
5140MR-11	11 mm Seal, aluminum, silver, PTFE/butyl rubber, metal-O-Ring	1000
5150MR-11	11 mm Seal, aluminum, silver, PTFE/silicone, metal-O-Ring	1000
5500SB-11	<b>New!</b> 11 mm Poly Crimp caps, clear, with star burst	1000
5540-11	11 mm Poly Crimp caps, clear, PTFE/butyl rubber red	1000
5550-11	11 mm Poly Crimp caps, clear, PTFE/silicone	1000
5570-11	11 mm Poly Crimp caps, clear, PTFE/silicone, with slit	1000
5200-11	11 mm, Snap Top Caps™, clear, with molded septum	1000
5260-11B	11 mm, Snap Top Caps™, blue, PTFE/butyl rubber red	1000
5810MR-11	11 mm, Snap Top Caps™, clear, PTFE, metal-O-ring	1000
5870MR-11	11 mm, Snap Top Caps™, clear, PTFE/silicone, with slit, metal-O-ring	1000
5310-08	8 mm Open hole cap, polypropylene, black, for Shimadzu	1000
5330-08W	8 mm Top Seal™ cap, polypropylene, white, molded 0,25 mm septa	1000
804040-08	8 mm Cap, black, PTFE/red rubber (red), 1 mm	1000
806550-08	8 mm Cap, black, PTFE (red)/silicone, 1,65 mm	1000
806550TH-08	8 mm patented Top Hat™ cap, black, PTFE/silicone	1000
5330PE-08	8 mm Top Seal™ cap, polyethylene, easy pierce closure, 0,25 mm septum	1000
5310F-09	9 mm R.A.M.™ open hole cap, polypropylene, black	1000
5330-09	9 mm R.A.M.™ Top Seal™ closure, polypropylene, clear, molded 0,25 mm septum	1000
5360-09	9 mm R.A.M.™ cap, polypropylene, black, PTFE/F217 lined	1000
5394F-09	9 mm R.A.M.™ cap, black, PTFE/butyl rubber	1000
5394-09F	9 mm R.A.M.™ cap, ribbed, black, PTFE/butyl rubber	1000
5395XF-09RB	9 mm R.A.M.™ cap, royal blue, PTFE/silicone, with cross slit	1000
5371F-09RB	9 mm R.A.M.™ cap, royal blue, PTFE/silicone, with Y-cut	1000
5399F-09	9 mm R.A.M.™ cap, black, Viton® (black)	1000

## Shell Vials, 8 x 40 mm, 8 mm Wide Opening

- Designed to work in the Waters WISP™ 96 position autosampler
- Choose from clear or amber Type I borosilicate glass or polypropylene – according to your application
- Sealed with snap plugs (see below)
- Different limited volume inserts available (see below)



Cat. No.	Description	Unit
4100-840	1,0 ml Clear vial, 8 x 40 mm	1000
4100-840A	1,0 ml Amber vial, 8 x 40 mm	1000
4100P-840	1,0 ml Polypropylene vial, 8 x 40 mm	1000
4107P-840	700 µl Polypropylene vial, 8 x 40 mm	1000
4107P-840A	<b>New!</b> 700 µl Polypropylene vial, 8 x 40 mm, amber	1000
4100-830	750 µl Clear vial, 8 x 30 mm	1000
4100P-830	900 µl Polypropylene vial, 8 x 30 mm	1000
4105P-830	500 µl Polypropylene vial, 8 x 30 mm	1000

## Polyethylene snap plugs for 8 mm Shell Vials

- Available in a variety of colours for easy sample identification
- Starburst and conical design provide needle guidance and better resealability



Cat. No.	Description	Unit
5400SB-08	8 mm Plug, PE, clear, with starburst	1000
5400SB-08B	8 mm Plug, PE, blue, with starburst	1000
5400SB-08G	8 mm Plug, PE, green, with starburst	1000
5400SB-08R	8 mm Plug, PE, red, with starburst	1000
5400SB-08Y	8 mm Plug, PE, yellow, with starburst	1000
5405SB-08B	8 mm Plug, PE, blue, conical, with starburst	1000
5400-08	8 mm Plug, PE, clear	1000
5400TP-08	8 mm Plug, PE, clear, with starburst, "easy pierce"	1000
540030-08	8 mm Plug, PE, clear, silicone lined	1000
5450-08	8 mm Plug, PTFE/silicone	1000
9200-81215	Multi - Plug safety sleeve, clear	5
9200-81215B	Multi - Plug safety sleeve, black	5

## Limited volume inserts for Shell Vials, 8 x 40 mm

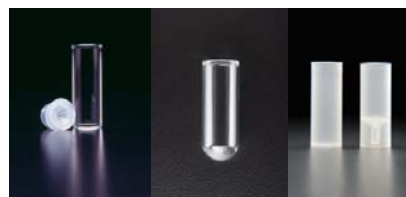
- Due to the conical design of the snap plug, limited volume inserts stay centered and straight
- Conical bottom
- With or without spring
- Glass or polypropylene



Cat. No.	Description	Unit
4015BS-529	150 µl, glass, conical bottom, with bottom spring	100
402-536	200 µl, glass, conical bottom, no spring	100
402BS-536	200 µl, glass, conical bottom, with bottom spring	100
4025-629	250 µl, glass, big mouth, conical bottom, no spring	100
4025BS-629	250 µl, glass, big mouth, conical bottom, with bottom spring	100
402P-536	200 µl, polypropylene, conical bottom, no spring	1000
402PBS-536	200 µl, polypropylene, conical bottom, with bottom spring	1000
4025P-631	250 µl, polypropylene, big mouth, conical bottom, no spring	1000
4025PBS-631	250 µl, polypropylene, conical bottom, with bottom spring	1000

## Shell Vials, 12 x 32 mm, 12 mm Wide Opening

- Choose from clear or amber Type I borosilicate glass or polypropylene – according to your application
- Sealed with snap plugs (see below)
- Different limited volume inserts available (see below)



Cat. No.	Description	Unit
4100-1232	2,0 ml Clear vial	1000
4100-1232A	2,0 ml Amber vial	1000
4100P-1232	2,0 ml Polypropylene vial	1000
4100RB-1232	2,0 ml Clear vial, round bottom	1000

## Polyethylene Snap Plug for 12 mm Shell Vials

- Available in a variety of colours for easy sample identification
- Starburst and conical design provide needle guidance and better resealability



Cat. No.	Description	Unit
5405SB-12	12 mm Plug, PE, clear, with starburst	1000
5400FT-12	12 mm Plug, PE, flat, clear	1000
5410SB-12	<b>New!</b> 12 mm Plug, PE, with starburst, clear	1000
9200-81215	Multi - Plug safety sleeve, clear	5
9200-81215B	Multi - Plug safety sleeve, black	5

## Limited volume inserts for Shell Vials 12 x 32 mm

- Due to the conical design of the snap plug, limited volume inserts stay centered and straight
- Conical or flat bottom
- With bottom spring
- Glass or polypropylene



Cat. No.	Description	Unit
4025BS-629	250 µl, Glass, conical bottom, with bottom spring	100
4025PBS-631	250 µl, Polypropylene, conical bottom, with bottom spring	1000

**You are looking for GC injection septa?**

**Please contact us for information and pricing!**

## Shell Vials, 15 x 45 mm, 15 mm Wide Opening

- Choose from clear or amber Type I borosilicate glass or polypropylene – according to your application
- Sealed with snap plugs (see below)
- Different limited volume inserts available (see below)



Cat. No.	Description	Unit
4100-1545	4,0 ml clear vial	1000
4100-1545A	4,0 ml amber vial	1000
4100P-1545	4,0 ml Polypropylene vial	1000
4130P-1545	3,0 ml Polypropylene vial	1000

### Polyethylene Snap Plug for 15 mm Shell Vials

- Available in a variety of colours for easy sample identification
- Starburst and conical design provide needle guidance and better resealability



Cat. No.	Description	Unit
5405SB-15	15 mm Plug, PE, clear, with starburst	1000
5400FT-15	15 mm Plug, PE, flat, clear	1000
9200-81215	Multi - Plug safety sleeve, clear	5
9200-81215B	Multi - Plug safety sleeve, black	5

### Limited volume inserts for Shell Vials 15 x 45 mm

- Due to the conical design of the snap plug, limited volume inserts stay centered and straight
- Conical or flat bottom
- With bottom spring
- Glass or polypropylene



Cat. No.	Description	Unit
403BS-638X	300 µl, Glass, conical bottom, with bottom spring	100
403PBS-638	300 µl, Polypropylene, conical bottom, with bottom spring	1000

***Tired to assemble vials, caps and septa?***

**No problem with the comfort packs from J.G.Finneran!**

**Components packed in a clear tray that fits into your bench drawer for easy access. Preassembled packs come ready to use.**

**Please enquire for further details!**

## Headspace Vials

- Flat bottom for use with Agilent, Carlo Erba, Perkin Elmer or Shimadzu autosamplers
- Round bottom for use with Perkin Elmer, L.E.A.P. Technologies and Varian autosamplers
- Choose from clear or amber Type I borosilicate glass
- Capacity ranging from 6 - 27 ml
- Sealed with different crimp or screw thread caps (see below)



Cat. No.	Description	Unit
36020-2238	6,0 ml Clear vial, 22 x 38 mm (for Perkin-Elmer), 20 mm crimp	1000
310020-2346	10,0 ml Clear vial, 23 x 46 mm, 20 mm crimp	1000
320020-2375	20,0 ml Clear vial, 23 x 75 mm, 20 mm crimp	1000
320020-2375A <b>New!</b>	20,0 ml Amber vial, 23 x 75 mm, 20 mm crimp	1000
327020-3060	27,0 ml Clear vial, 30 x 60 mm (for Shimadzu), 20 mm crimp	1000
310018F-2346	10,0 ml Clear vial, 23 x 46 mm, flat bottom, 18 mm thread	1000
31018F-2346A	10,0 ml Amber vial, 23 x 46 mm, flat bottom, 18 mm thread	1000
315018F-2360	15,0 ml Clear vial, 23 x 60 mm, flat bottom, 18 mm thread	1000
320018F-2375	20,0 ml Clear vial, 23 x 75 mm, flat bottom, 18 mm thread	1000
32018F-2375A	20,0 ml Amber vial, 23 x 75 mm, flat bottom, 18 mm thread	1000
310020A-2346	10,0 ml Clear vial, 23 x 46 mm, (for L.E.A.P), 20 mm crimp	1000
320020A-2375	20,0 ml Clear vial, 23 x 75 mm (for Perkin-Elmer), 20 mm crimp	1000
310018R-2346	10,0 ml Clear vial, 23 x 46 mm, round bottom, 18 mm thread	1000
31018R-2346A	10,0 ml Amber vial, 23 x 46 mm, round bottom, 18 mm thread	1000
320018R-2375	20,0 ml Clear vial, 23 x 75 mm, round bottom, 18 mm thread	1000
32018R-2375A	20,0 ml Amber vial, 23 x 75 mm, round bottom, 18 mm thread	1000

## Closures and Stoppers for Headspace Vials

- Crimp seals manufactured from aluminum, tin plate or bimetals
- Magnetic or non magnetic
- Screw caps manufactured from metal
- Different septa available



Cat. No.	Description	Unit
5110-20	20 mm Aluminum seal, silver, 0,25 mm PTFE	1000
5140-20	20 mm Aluminum seal, silver, 3,3 mm PTFE/butyl rubber, grey	1000
5150-20	20 mm Aluminum seal, silver, 3,0 mm PTFE/silicone	1000
5141PR-20	20 mm Aluminum seal, silver, 3,3 mm PTFE/butyl rubber, grey, pressure release	100
5142PR-20	20 mm Aluminum seal, silver, 3,5 mm PTFE/rubber, pressure release	100
5143PR-20	20 mm Aluminum seal, silver, 2,5 mm PTFE/silicone, pressure release	100
5144TP5-20	20 mm Tin plate seal, silver, 5 mm hole, 3,3 mm PTFE/butyl rubber, grey, magnetic	100
5144TP8-20	20 mm Tin plate seal, silver, 8 mm hole, 3,3 mm PTFE/butyl rubber, grey, magnetic	100
5145TP5-20	20 mm Tin plate seal, silver, 5 mm hole, 2,5 mm PTFE/silicone, magnetic	100
5145TP8-20	20 mm Tin plate seal, silver, 8 mm hole, 2,5 mm PTFE/silicone, magnetic	100
5150BM00-20R	20 mm Bimetal seal, red, 2,5 mm PTFE/ silicone, magnetic	100
5150BM00-20B	20 mm Bimetal seal, blue, 2,5 mm PTFE/ silicone, magnetic	100
5150BM18-20R	20 mm Bimetal seal, red, 3,0 mm PTFE/ silicone, magnetic	100
5150BM18-20B	20 mm Bimetal seal, blue, 3,0 mm PTFE/ silicone, magnetic	100
5350-18M	18 mm Threaded metal closure, gold, 1,3 mm PTFE/silicone liner	100
5356B-18M	18 mm Threaded metal closure, gold, 1,5 mm PTFE (blue)/silicone liner	100
5351TB-18M	18 mm Threaded metal closure, gold, 3,2 mm PTFE (translucent blue)/silicone liner	100
5001-20ST	20 mm Butyl rubber stopper	1000

## Accessoires

- Snap Rack™ with center well to conveniently hold caps seals and septa facilitates easy assembly of your vials
- Crimping tools and decappers in common sizes
- Capsule Holders™ patented for dissolution tests



Cat. No.	Description	Unit
9700-12	Snap Rack™, white, 50 positions, for 12 mm vials	5
9700-12B	Snap Rack™, blue, 50 positions, for 12 mm vials	5
9700-08	Snap Rack™, white, 96 positions, for 8 mm vials	5
9700-08B	Snap Rack™, blue, 96 positions, for 8 mm vials	5
91700-00	Capsule Holders™ for use in dissolution vessels, black	1
91700-01	Capsule Holders™ for use in dissolution vessels, black, metal	1
9300-11	11 mm Hand operated crimper	1
9320-11	11 mm Crimp type decapper	1
9310-11	11 mm Hand operated decapper	1
9300-13	13 mm Hand operated crimper	1
9320-13	13 mm Crimp type decapper	1
9310-13	13 mm Hand operated decapper	1
9300-20	20 mm Hand operated crimper	1
9320-20	20 mm Crimp type decapper	1
9310-20	20 mm Hand operated decapper	1

**You are looking for something special?  
Please contact us!**

**Discover more products for  
chromatography and biotechnology from J.G. Finneran  
on our webpage!**

**We also have glassware from:**



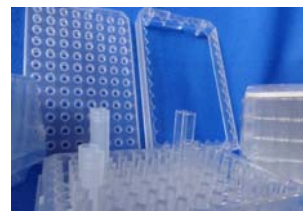
## Last but not Least

### 96-Well Multi-Tier™ Microplate System not only for Chromatography

- Manufactured in Topas (COC - Cyclo-Olefin-Copolymere)
- Excellent clarity and heat/chemical resistance
- Plates can be autoclaved and sterilized

Complete Multi-Tier™ system includes:

- Vented 96-well base plate
- Choice of 4 vial sizes: 0,5 ml, 1,0 ml, 1,5 ml or 2,0 ml - conical or flat bottom - glass or polypropylene (PP)
- Spacers for 1,0 ml, 1,5 ml and 2,0 ml systems
- Cover
- PTFE/Silicone/PTFE liner



Cat. No.	Description	Unit
9905LC-812T	0,5 ml (Topas) complete system, conical bottom, glass	1
9910LC-812T	1,0 ml (Topas) complete system, conical bottom, glass	1
9915LC-812T	1,5 ml (Topas) complete system, conical bottom, glass	1
9920LC-812T	2,0 ml (Topas) complete system, conical bottom, glass	1
9900C-812T	Cover for plate system, Topas	5
9900-812T	Spacer for plate system, Topas	1
9996-812T	96-well base plate, Topas	1
9900VFC-812	Solid clear cover for plate system	5

### Snap Seal™ Vials for 96-Well Multi-Tier™ Microplate System

- Designed for use with the Multi-Tier™ system
- Choice of glass vials with conical or tapered bottom
- Sealed with 8 mm „Snap Top Caps“™ (see below)
- 4 sizes available: 0,5 ml, 0,75 ml, 1,0 ml, and 2,0 ml
- Sample access down to 10 µl
- Compatible with most autosamplers and robotic systems



Cat. No.	Description	Unit
30508-922	0,5 ml, conical bottom, Snap Seal vial, 9 x 22 mm	100
307508-936	0,75 ml, conical bottom, Snap Seal vial, 9 x 36 mm,	100
307508T-936	0,75 ml, tapered bottom, Snap Seal vial, 9 x 36 mm,	100
31008-946	1,0 ml, conical bottom, Snap Seal vial, 9 x 46 mm,	100
31008T-946	1,0 ml, tapered bottom, Snap Seal vial, 9 x 46 mm,	100
32008FB-950	2,0 ml flat bottom, Snap Seal vial, 9 x 50 mm,	1000

### Precision Fit Snap Top Caps™

For Multi-Tier™ „Snap Seal“™ Vials

- Snap on and off by hand:  
Saves time, labour, and money!
- Manufactured from plastic
- Different liner available



Cat. No.	Description	Unit
5810-08	8 mm Precision Fit clear Snap Top Cap, ~ 254 µm PTFE	100
5840-08	8 mm Precision Fit clear Snap Top Cap, PTFE/butyl rubber	100
5850-08	8 mm Precision Fit clear Snap Top Cap, PTFE/Silicone	100
5860-08	8 mm Precision Fit clear Snap Top Cap, PTFE/Silicone /PTFE	100
5870-08	8 mm Precision Fit clear Snap Top Cap, PTFE/Silicone w/slit	100